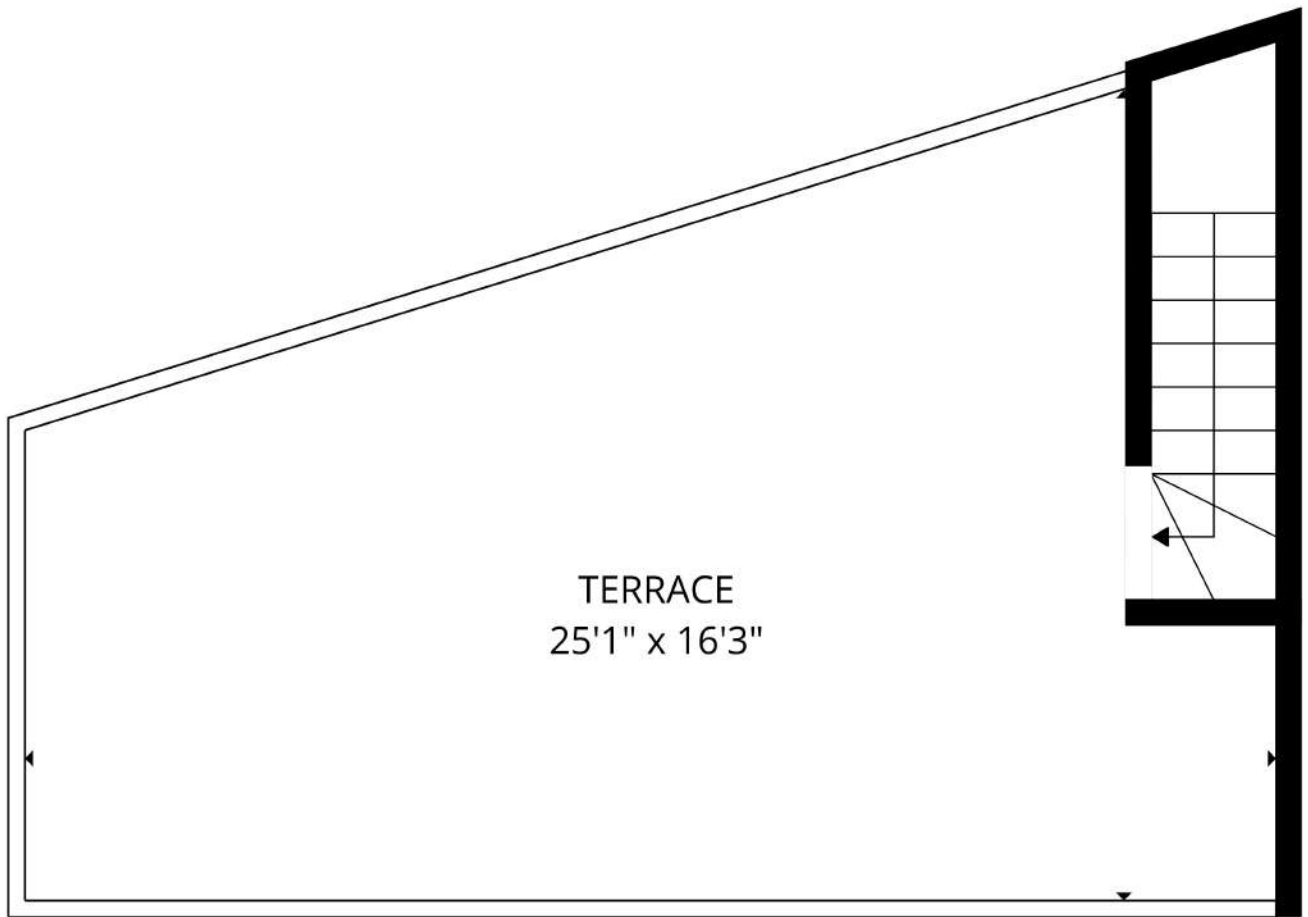


TOTAL: 1603 sq. ft

1st floor: 790 sq. ft, 2nd floor: 786 sq. ft, 3rd floor: 27 sq. ft

EXCLUDED AREAS: LAUNDRY: 58 sq. ft, TERRACE: 300 sq. ft, WALLS: 123 sq. ft

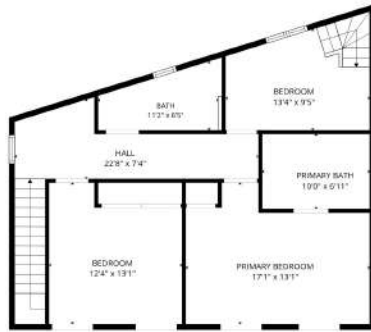
FLOOR PLAN CREATED BY CURICASA APP. MEASUREMENTS DEEMED HIGHLY RELIABLE BUT NOT GUARANTEED.



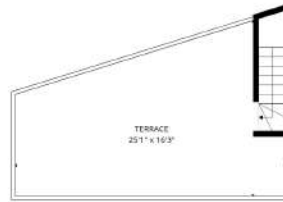
TERRACE
25'1" x 16'3"

TOTAL: 1603 sq. ft
1st floor: 790 sq. ft, 2nd floor: 786 sq. ft, 3rd floor: 27 sq. ft
EXCLUDED AREAS: LAUNDRY: 58 sq. ft, TERRACE: 300 sq. ft, WALLS: 123 sq. ft

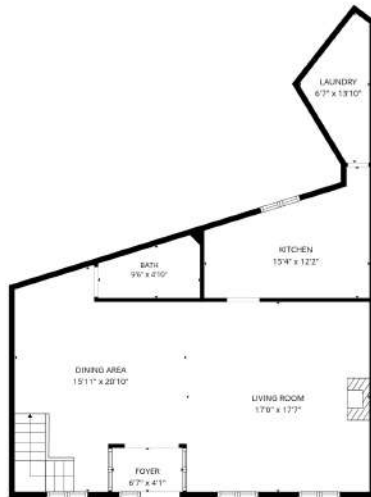
FLOOR PLAN CREATED BY CURICASA APP. MEASUREMENTS DEEMED HIGHLY RELIABLE BUT NOT GUARANTEED.



2nd floor



3rd floor



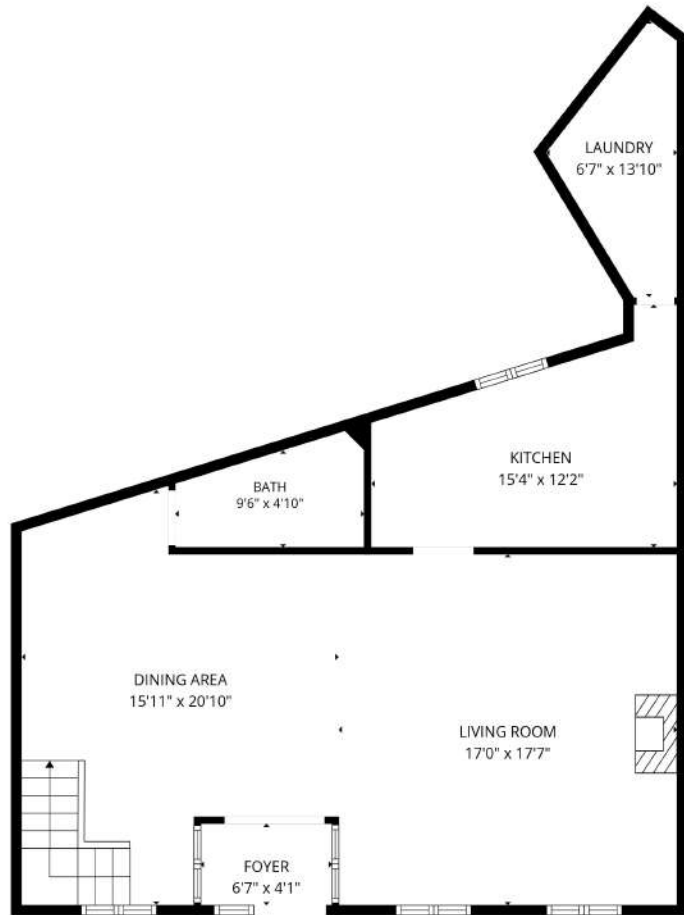
1st floor

TOTAL: 1603 sq. ft

1st floor: 790 sq. ft, 2nd floor: 786 sq. ft, 3rd floor: 27 sq. ft

EXCLUDED AREAS: LAUNDRY: 58 sq. ft, TERRACE: 300 sq. ft, WALLS: 123 sq. ft

FLOOR PLAN CREATED BY CURICASA APP. MEASUREMENTS DEEMED HIGHLY RELIABLE BUT NOT GUARANTEED.



TOTAL: 1603 sq. ft

1st floor: 790 sq. ft, 2nd floor: 786 sq. ft, 3rd floor: 27 sq. ft

EXCLUDED AREAS: LAUNDRY: 58 sq. ft, TERRACE: 300 sq. ft, WALLS: 123 sq. ft

FLOOR PLAN CREATED BY CUBICASA APP. MEASUREMENTS DEEMED HIGHLY RELIABLE BUT NOT GUARANTEED.